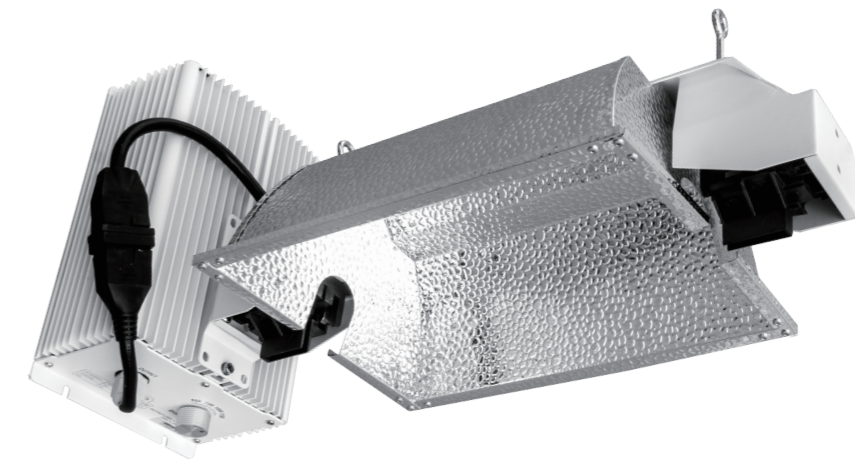


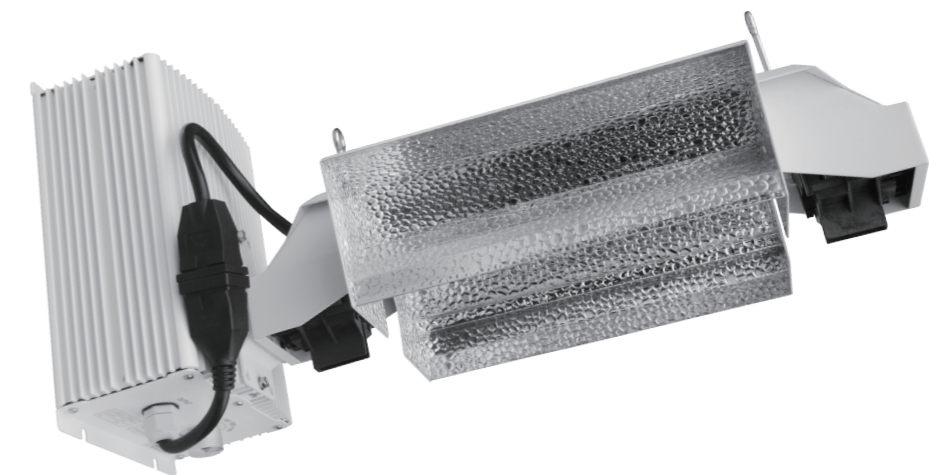


**PRO SERIES 1000W DOUBLE ENDED COMPLETE  
GROW LIGHT SYSTEM [120-240V]**

**USER MANUAL**



**Enclosed Style**



**Open Style**

# IMPORTANT PRODUCT INFORMATION

## READ IMMEDIATELY

### SAFETY FIRST!

Failure to observe the following safety warnings may result in serious injury or death. Use all products only as directed. Failure to observe these safety warnings will result in a waiver of any and all liability on the part of its manufacturer, and resellers, and will void all warranties to the extent permitted by law.

## WARNINGS AND INSTRUCTIONS

### FOR USE:

- Disconnect power before re-lamping.
- When re-lamping, make sure lamp has time to cool before touching.
- Make sure power cord is connected properly.
- **DO NOT** hang ballast by power cord or lamp cord.
- **DO NOT** make contact with the interior of the socket while the power is on.
- **DO NOT** plug or unplug a lamp cord while the ballast is turned on.
- **ALWAYS** unplug the ballast from the power source before connecting or disconnecting any lighting device to ballast, moving ballast, or otherwise touching or handling ballast or its components.
- **DO NOT** use with generators. Warranty will be voided.
- **NEVER** stand beneath the ballast.
- **NEVER** put hands or any other objects in the interior of the ballast.
- **DO NOT** operate this or any lighting system in wet areas.
- **NEVER** get the ballast wet or allow it to come into contact with water or any other liquids.
- **NEVER** drop, shake or jostle the ballast.
- **NEVER** attempt to insulate or otherwise cover the ballast, as it releases a great deal of heat and may cause a fire or other damage. Ballasts should always have plenty of room to breathe and good ventilation around them.
- **DO NOT** plug this system into a supply voltage other than what is instructed on your fixture.
- **DO NOT** attempt open or rewire the components of the light system. It will void the warranty and may cause serious injury or death.
- **NEVER** attempt to rewire or alter any internal or external mechanisms or components on the ballast. This includes trying to cut and/or rewire the cords.
- If any part of the lamp is damaged, replace lamp immediately.
- Disconnect the unit from a power source before replacing lamps or any other parts.
- When replacing lamps, make sure the lamp has had time to cool before touching.
- Make sure power cord and lamp cord are connected securely to the unit.
- These products operate at very high temperatures. Keep away from children.
- Glass is required for reflectors using metal halide (MH) lamps for UL listing to apply. Glass is not required for high pressure sodium (HPS) lamps to be UL listed.
- Always use a three prong timer rated for 15 amps or more with light systems.
- Do not operate lamps that are a different wattage than the ballast specifies.
- Read all instructions completely before attempting to power on unit. Failure to follow the warnings and instructions for use may result in serious injury or death, for which the manufacturer and resellers expressly disclaim any and all liability.

## 2 Year Limited Warranty Service

If the product will not work after you have read the troubleshooting guide and practiced the troubleshooting options, you are advised to return the light system to the retailer you purchased it from. The dealer will be able to examine the light and test its components. If they are not able to repair the light, they will return it to us for examination and repair/replacement. Do not attempt to repair any product on your own, as serious injury or death may result. If the retailer is not able to help you and the light is still under manufacturer's warranty, you may contact us for technical support. In some cases, you will be issued an RMA# (return merchandise authorization number) to return the unit for factory repair. Complete the warranty form below and return the light with all original packaging, your receipt of purchase, and a valid RMA# to the address below. Please pack and ship the light in its original packaging. If it is damaged in shipment we cannot be responsible and the warranty may be voided. Once we receive RMA package, it will be repaired or replaced and shipped back to you. Please note if an additional warranty was purchased and include the extended warranty sales receipt with your return.

### RETURN FORM

#### Include the following if returning:

- ✓ Proof of purchase
- ✓ This completed form
- ✓ RMA# on the outside of the box
- ✓ Extended warranty receipt

**Return Merchandise Authorization Number (Required):** \_\_\_\_\_

**Contact Name:** \_\_\_\_\_

**Address:** \_\_\_\_\_

\_\_\_\_\_

**Phone #:** \_\_\_\_\_

**Email Address:** \_\_\_\_\_

**Please give a brief description of your technical issue:** \_\_\_\_\_

\_\_\_\_\_

\_\_\_\_\_

\_\_\_\_\_

### UPDATE ADDRESS:

RMA Dept.  
17128 Colima Road Suite 510  
Hacienda Heights, CA 91745  
714-516-8176





### 9. Storage and Disposal

- Store the fixture in a dry, clean environment.
- Do not dispose the fixture or any part of it as unsorted municipal waste - instead it shall be handed over to the applicable collection point for the recycling of electrical and electronic equipment.

**Caution!** The lamps are chemical hazardous waste and must be delivered to the designated authorities.

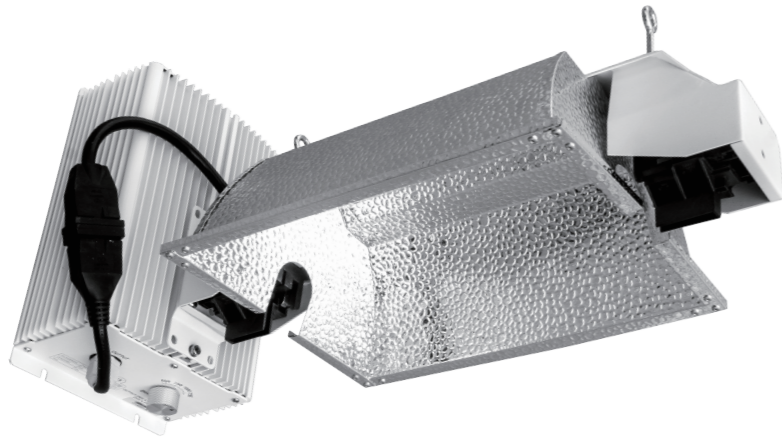
### 10. More other voltage items to consider.

[240V], [277V], [347V], [400V], [480V]

If you are interesting other voltage, please contact us for more information.

### 11. More reflector style to consider.

If you are interesting other reflector style, please contact us for more information.



**Enclosed Style: Maximum light diffusion**



**Open Style: Optimum heat management and longer lamp life**

### 1. Introduction

Thank you for purchasing the PRO Series 1000W DE COMPLETE GROW LIGHT SYSTEM. This manual describes the mounting and installing of the fixture and also describes how to use the fixture. Mounting and installing of the fixture may only be executed by certified service personal. Please read and understand this manual completely before using the fixture. Only use the fixture as specified in this manual.

### 2. Information and Specifications:

The PRO Series 1000W DE COMPLETE GROW LIGHT SYSTEM is an electronic horticulture fixture. It is designed to drive the professional 1000W DE Double Ended Electronic high frequency lamp. Professional electronic lamps operate at very high frequency of prevent acoustic resonance and to optimize lamp life.

In this manual, the PRO Series 1000W DE COMPLETE GROW LIGHT SYSTEM will be referred to as: "the fixture"

Voltage range	[V]	100-265 Vac
Starting time	[S]	5 Max
Pulse voltage	[KV]	4-5
Frequency	[HZ]	50/60
Input power factor	[ cosΦ]	≥0.98
THD	[ %]	≤10
Rated frequency	[kHz]	107-150
Dimming range		600w 750w 1000w 1150w

### 3. Environment

The fixture is meant for use in climate rooms. The fixture may be used in damp environments. The fixture may not be used in wet environments or outdoors.

### 4. Certifications

UL approved.

### 5. Safety Recommendations and Warnings

#### Warning!

Carefully read the warnings below before using or working with the fixture!

- Always adhere to the local rules and regulations when installing or using the fixture.
- Do not use the fixture when either the lamp or the power cord is damaged. Replace the power cord only with original certified cords.
- Do not expose the fixture to: Condensing humidity, heavy mist, fog or direct spray, temperatures outside the specified range, dust and contamination.

- Always disconnect the fixture from the mains before performing any task on it.
- Always allow for a cool down period of at least 30 minutes before touching the lamp or reflector. Touching the lamp or the reflector when the lamp is lit or immediately afterwards will result in severe burns!
- Do not use the fixture near flammable, explosive or reactive substances. The lamp and the reflector of the fixture become very hot during use.
- Do not use sulfur vaporizers or water misters close to your fixture. Sulfur and calcium deposits on your reflector will decrease its efficiency.
- Never touch the lamp or the inside of the reflector with bare hands as this will cause damage to the lamp or reflector.

## 6. Installing the Fixture

**Warning!** Avoid coiled cords. Coiled cords may lead to electromagnetic interference.

**Warning!** Always install the lamp before connecting the fixture to the mains.

**Warning!** Ensure the local cabling can support the voltage and current requirements of the fixture.

### 6.1. Adjusting the Output of the Lamp Manually

Note: Adjustment occurs gradually (60 seconds per step) to increase the lifespan of the lamp.

- Install the lamp in the fixture
- Turn the output control knob to adjust the output of the lamp: 600/750/1000/1150 Watt

## 7. Fixture Use

**Warning!** Never use the fixture without a lamp or reflector!

## 8. Inspection, Maintenance and Repair

**Warning!** Disconnect the fixture from mains before performing any maintenance or repairs.

**Warning!** Do not open or disassemble the fixture, it contains no serviceable parts inside. Opening the fixture can be dangerous and will void the warranty.

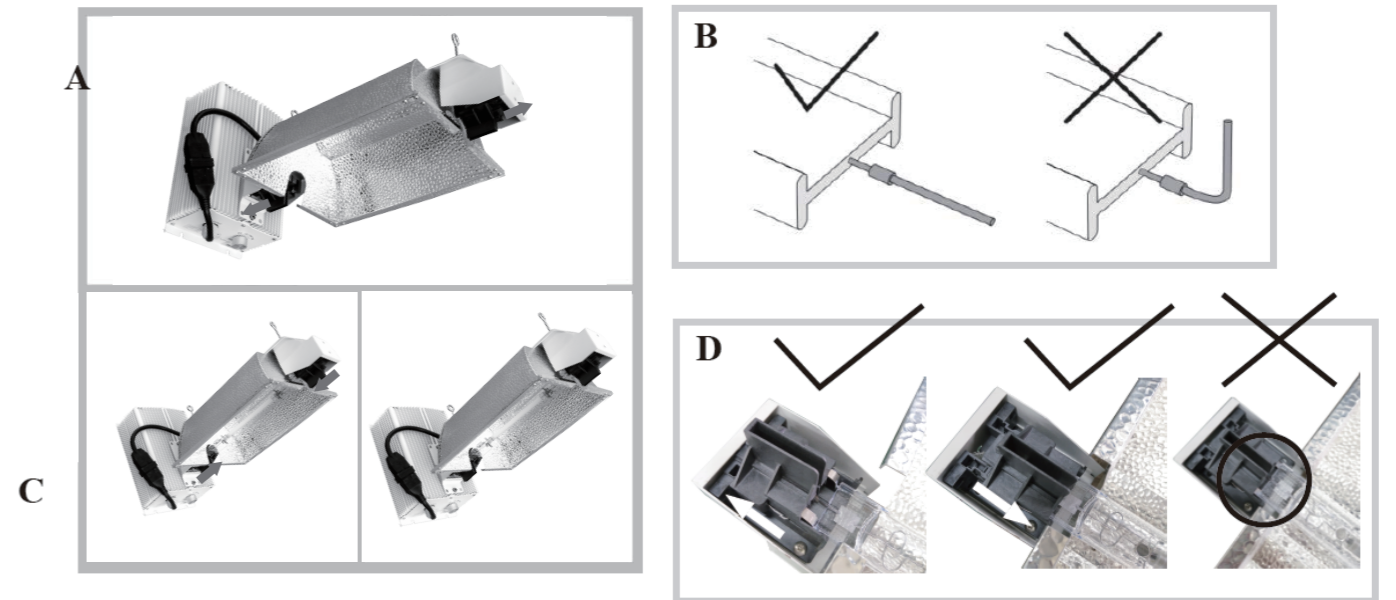
**Warning!** Always allow for a cool down period of at least 30 minutes before touching the lamp or reflector.

**Caution!** Do not clean the fixture with detergents, abrasives or other aggressive substances.

**Caution!** Do not touch the inside of the reflector and do not use water, abrasives or detergents to clean it. This will damage the reflective surface.

**Caution!** Wait 20 minutes before activating the fixture after maintenance work has been conducted.

- Regularly check the fixture for dust or dirt buildup. Clean if necessary.
- Contamination may cause overheating and decreased performance.
- Clean the inside of the reflector only with a soft, dry cloth.
- Clean the electric ballast and the outside of the fixture using a dry or damp cloth.
- Check the lamp monthly for discolorations or black markings. Always replace a damaged lamp.
- Regularly check the wiring of the fixture to ensure it is undamaged.



### 8.1. Placement and Replacement of the Lamp

**Caution!** Do not touch the lamp with bare hands as this will damage the lamp.

Always use a fabric glove to handle the lamp.

Note: The lamp must be replaced every year or after 5000 lighting hours, whichever one comes first.

- Hold the lamp with a fabric glove to prevent it from falling. Use a protective glove if the lamp is damaged.
- Open the cap of lamp holders (A).
- Carefully take the lamp out.
- Straightening the wires of the lamp (B).
- Install the new lamp (C).
- Use a fabric glove to carefully press the lamp in the fitting until the springs hold the lamp.
- Close the cap of the lamp holders, **make sure the cap of lamp holders are closed tightly (D)**.
- Plug the fixture back into the mains.

### 8.2. Placement and Replacement of the Reflector

Note: You have to remove the lamp to replace the reflector.

Depending on the environment and contamination levels the reflector will degrade.

- Loosen the two screws on the top of the bracket.
- Remove the reflector.
- Place the new reflector, tighten the screws.

